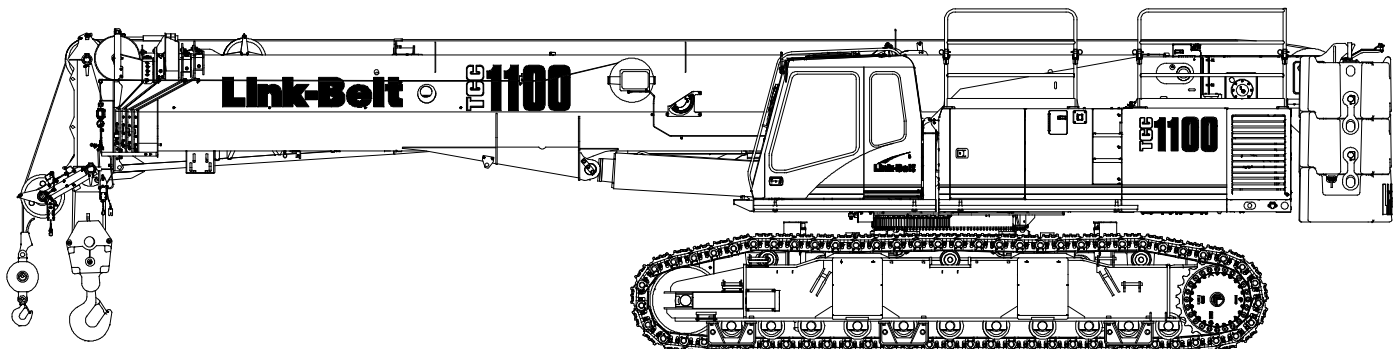


# Technical Data

## Specifications & Capacities

# TCC 1100

Telescopic Crawler Crane  
110 Ton (100 metric ton)



CAUTION: This material is supplied for reference use only. Operator must refer to in-cab Crane Rating Manual and Operator's Manual to determine allowable crane lifting capacities and assembly and operating procedures.

*All-West Crane & Rigging Ltd.*  
TCC-1100  
*250-249-5151*

# Table Of Contents

<b>Upper Structure</b> .....	<b>1</b>
Frame .....	1
Engine .....	1
Hydraulic System .....	1
Load Hoist Drums .....	1
Swing System .....	1
Counterweight .....	1
Operator's Cab .....	1
Rated Capacity Limiter System .....	2
Machinery House .....	2
Catwalks .....	2
Optional .....	2
<b>Lower Structure</b> .....	<b>2</b>
Carbody .....	2
Side Frames .....	2
Travel and Steering .....	2
Jack System .....	2
Optional Tool Boxes .....	2
<b>Boom</b> .....	<b>3</b>
Design .....	3
Boom .....	3
Optional .....	3
Boom Wear Pads .....	3
Boom Head .....	3
Boom Elevation .....	3
<b>Optional Equipment</b> .....	<b>3</b>
Auxiliary Lifting Sheave .....	3
Hook Blocks And Balls .....	3
Fly & Attachments .....	3
Work Platform .....	3
<b>Dimensions</b> .....	<b>4</b>
Base Crane .....	4
Auxiliary Lifting Sheave .....	6
Fly .....	6
Side Frames .....	6
Counterweights .....	7
Hook Balls .....	8
Hook Blocks .....	8
<b>Working Weights</b> .....	<b>10</b>
<b>Transport Drawing</b> .....	<b>10</b>
<b>Load Hoist Performance</b> .....	<b>10</b>
<b>Working Areas</b> .....	<b>11</b>
<b>Boom Extend Modes</b> .....	<b>12</b>
<b>Working Range Diagrams</b> .....	<b>13</b>

Main Boom .....	13
150' Main Boom + 10' Fly .....	14
120' Main Boom + 31–55' Fly .....	15
150' Main Boom + 31–55' Fly .....	16
<b>Main Boom Load Charts</b> .....	<b>17</b>
Main Boom .....	17
Main Boom + 10 ft Manual Offset Fly (2° Offsets) .....	18
Main Boom + 10 ft Manual Offset Fly (15° Offsets) .....	19
Main Boom + 10 ft Manual Offset Fly (30° Offsets) .....	20
Main Boom + 10 ft Manual Offset Fly (45° Offsets) .....	21
<b>Jib Attachment Load Charts</b> .....	<b>22</b>
120 ft Main Boom Length .....	22
150 ft Main Boom Length .....	23

# Upper Structure

## Frame

All welded steel frame with precision machined surfaces for mating parts.

### Turntable Bearing

- Inner race is bolted to upper frame
- Outer race with external swing gear is bolted to lower frame

## Engine

### Engine

Full pressure lubrication, oil filter, air cleaner, hour meter, throttle, and electric control shutdown.

Specification	Cummins QSL	
Numbers of Cylinders	6	6
Cycle	4	4
Emissions Compliance Level:	Tier 4i/ Stage IIIB <sup>(1)</sup>	Tier 3/ Stage IIIA <sup>(2)</sup>
Bore & Stroke: inch (mm)	4.49 x 5.69 (114 x 145)	4.49 x 5.69 (114 x 145)
Piston Displacement: in <sup>3</sup> (L)	543 (8.90)	543 (8.90)
Max. Brake Horsepower: hp (kW)	320 (239) @ 1,800 rpm	325 (242) @ 1,800 rpm
Peak Torque: ft lb (Nm)	1,050 (1 424) @ 1,500 rpm	1,050 (1 424) @ 1,500 rpm
Electric/starting systems: volts	12/12	12/12
Alternator: amps	160	160
Crankcase Capacity: qt (L)	24 (22.7)	24 (22.7)
<ul style="list-style-type: none"> <li>• Water/fuel separator w/ heater and water in fuel (WIF) sensor</li> <li>• 120-volt block heater</li> <li>• Grid heater – 200 amp</li> <li>• <sup>(1)</sup> Can only be sold and/or operated where Tier 4i and Stage IIIB off–high way emission standards are accepted.</li> <li>• <sup>(2)</sup> Can only be sold and/or operated where Tier 3 and Stage IIIA off–high way emission standards are accepted.</li> </ul>		

### Fuel Tank

One 110 gal (416L) capacity fuel tank.

## Hydraulic System

### Hydraulic Pumps

The pump arrangement is designed to provide hydraulically powered functions allowing positive, precise control with independent or simultaneous operation of all crane functions.

- Two variable displacement pumps provide independent control for hoist drums, boom hoist, boom extend, and right & left travel.
- Two gear type pumps are used for the swing, counterweight removal, track extend/retract, tilting cab, jacks, operator's controls, and hydraulic oil cooling fan.

### Hydraulic Reservoir

250 gal (946L) capacity equipped with sight level gauge. Diffusers built in for deaeration.

### Filtration

One 10 micron, full flow return line filter. Accessible for easy filter replacement.

### Counterbalance Valves

All hoist motors are equipped with counterbalance valves to provide positive load lowering and prevent accidental load drop if the hydraulic pressure is suddenly lost.

## Load Hoist Drums

### Main and Optional Auxiliary Winches

- Axial piston, full and half displacement (2–speed) motor driven through planetary reduction unit for positive control under all load conditions.
- Grooved lagging
- Power up/down mode of operation
- Hoist drum cable follower – standard
- Drum rotation indicator
- Drum diameter: 15 in (38.1cm)
- Rope length:
  - Main: 850 ft (259.1m)
  - Auxiliary: 500 ft (152.4m)
- Maximum rope storage: 951 ft (290m)
- Terminator style socket and wedge

**Third wrap indicator – optional** – Visually and audibly warns the operator when the wire rope is on the first/bottom layer and when the wire rope is down to the last three wraps

## Swing System

### Dual Swing Drives

**Motor/Planetary** – Bi–directional hydraulic swing motor mounted to a planetary reducer for 360° continuous smooth swing at 1.6 rpm

**Swing Park Brake** – 360°, electric over hydraulic, (spring applied/hydraulic released) multi–disc brake mounted on the planetary reducer. Operated by a switch in the operator's cab.

**Swing Brake** – 360°, foot operated, hydraulic applied disc brake mounted to the planetary reducer

**House Lock** – Four–position house lock (boom over front, rear or sides) operated from the operator's cab

## Counterweight

Consists of a five piece design.

- One "A" counterweight, 19,000 lb (8 618kg)
- One "B" counterweight, 16,000 lb (7 257kg)
- One "C" counterweight, 16,000 lb (7 257kg)
- Two "A" carbody counterweights, 12,500 lb (5 670kg) each

## Operator's Cab

Fully enclosed modular steel compartment is independently mounted and padded to protect against vibration and noise. Tilting cab 0–20°

- All tinted/tempered safety glass
- Sliding entry door and front and rear window
- Swing up roof window with windshield wiper
- Door and window locks
- Hot water heater
- Air conditioner
- Sun visor
- Cloth seat
- Circulating fan
- Front windshield and top hatch wipers and washers
- Dry chemical fire extinguisher
- Engine instrumentation panel (tachometer, voltmeter, engine oil pressure, engine water temperature, fuel level, hydraulic oil temperature, hour meter, and service monitor system)

- Mechanical drum rotation indicators for main (rear) and auxiliary (front) hoist drums
- Six way adjustable seat
- Foot throttle
- Optional Joystick controls
- Fully adjustable single axis controls
- Bubble type level
- Ergonomic gauge layout
- Controls shut off lever
- AM/FM Radio
- Travel levers & pedals
- Monitor for rear view and winch cameras

## Rated Capacity Limiter System

HED graphic audio–visual warning system with anti–two block and function limiter. Operating data available includes:

- Crane configuration
- Boom length
- Boom head height
- Allowed load and % of allowed load
- Data logging
- Boom angle
- Radius of load
- Actual load
- Operator settable alarms (include):
  - Maximum and minimum boom angles
  - Maximum tip height
  - Maximum boom length
  - Swing left/right positions
  - Operator defined area (imaginary plane)
- Optional internal bar graph indicator
- Optional external bar graph indicator

## Machinery House

Hinged doors (four on right side, one on left side) for machinery access. Upper left side guard rails.

## Catwalks

Standard on right and left sides. Catwalks fold up and pin for reduced travel width.

## Optional

- Upper mounted remote control flood light
- One amber rotating beacon on top of cab
- One amber strobe beacon on top of cab
- Vandal guards – Under design

# Lower Structure

## Carbody

### Lower Frame

All welded box construction frame with precision machined surfaces for turntable bearing and axles beams.

Extendable & retractable axle beam controlled by a hydraulic cylinder mounted inside the beams.

## Side Frames

### Side Frames

All welded, precision machined, steel frames can be extended and retracted with hydraulic cylinders.

- 15 ft 2.2 in (4.63m) extended gauge
- 12 ft 8.7 in (3.88m) intermediate gauge
- 8 ft 11.6 in (2.73m) retracted gauge
- 23 ft 4.2 in (7.11m) overall length
- 36 in (0.91m) wide track shoes
- Sealed (oil filled) idler and drive planetaries
- 2 speed travel drives
- Hydraulic self adjusting tracks

### Track Rollers

- Eleven sealed (oil filled) bottom track rollers per side frame
- Three sealed (oil filled) top track rollers per side frame
- Heat treated, mounted on anti–friction bearings

### Tracks

Heat treated, self–cleaning grouser shoes and heat treated track pins. 65 track shoes per side.

- Optional flat or “street” pad

### Take Up Idlers

Cast steel, heat treated, self–cleaning, mounted on sealed tapered roller bearings

## Travel and Steering

Each side frame contains a pilot controlled, bi–directional, axial piston motor and a planetary gear reduction unit to provide positive control under all load conditions.

- 2–speed travel
- Individual control provides smooth, precise maneuverability including full counter–rotation.

- Spring applied, hydraulically released multiple wet–disc type brake controlled automatically
- Maximum travel speed is 2 mph (3.2km/h)
- Designed to 40% gradeability

## Jack System

System contains four hydraulic cylinders individually mounted on swing–out beams.

- Individual jack cylinders are operated by remote control, or can be operated by carbody–mounted controls.
- Minimum height of carbody when resting on pontoons is 14.7 in (37.4cm).
- Maximum height of carbody with jack fully extended is 45.2 in (114.8cm).

## Optional Tool Boxes

Two heavy duty steel design tool boxes that bolt onto the carbody counterweights.

# Boom

## Design

Five section, formed construction of extra high tensile steel consisting of one base section and four telescoping sections. Two plate design of each section has multiple longitudinal bends for superior strength. The first telescoping section extends independently by means of one double-acting, single stage hydraulic cylinder with integrated holding valves. The second telescoping section extends independently by means of one double-acting, single stage hydraulic cylinder with integrated holding valves. The third and fourth telescoping sections extend proportionally by means of one double-acting, single stage cylinder with integrated holding valves and cables.

## Boom

- 40–150 ft (12.2–45.7m) five section full power boom
- Three boom extend modes, controlled from the operator's cab, provide superior capacities by varying the extension of the telescoping sections:
  - **Standard mode** is the full power, synchronized mode of telescoping all sections proportionally
  - **A-max<sup>1</sup>** mode (or mode 'A1') extends only the inner and center sections to 95 ft (29m) offering increased capacities for in-close, maximum capacity picks
  - **A-max<sup>2</sup>** mode (or mode 'A2') tip, outer and center sections extend to 122.5 ft (37.34m) offering maximum stability
- Mechanical boom angle indicator
- Maximum tip height for each extend mode is:
  - Standard is 159 ft 6 in (48.6m)
  - A-max<sup>2</sup> is 132 ft 6 in (40.3m)
  - A-max<sup>1</sup> is 105 ft 6 in (32.1m)

## Optional

- Remote control boom floodlight

## Boom Wear Pads

- Wear pads with Teflon inserts that self-lubricate the boom sections
- Top and bottom wear pads are universal for all boom sections

## Boom Head

- Six 16.5 in (41.9cm) root diameter nylon sheaves to handle up to 12 parts of line
- Easily removable wire rope guards
- Rope dead end lugs on each side of the boom head
- Boom head is designed for quick-reeve of the hook block

## Boom Elevation

- One double acting hydraulic cylinder with integral holding valve
- Boom elevation: –2.5° to 80°

# Optional Equipment

## Auxiliary Lifting Sheave

- Single 16.5 in (41.9m) root diameter nylon sheave
- Easily removable wire rope guard
- Does not affect erection of the fly or use of the main head sheaves

## Hook Blocks And Balls

- 35 ton (31.8mt) 1 sheave quick-reeve hook block with safety latch
- 50 ton (45.4mt) 4 sheave quick-reeve hook block with safety latch
- 80 ton (72.6mt) 5 sheave quick-reeve hook block with safety latch
- 100 ton (90.7mt) 6 sheave quick-reeve hook block with safety latch
- 140 ton (127mt) 7 sheave quick-reeve hook block with safety latch
- 12 ton (10.9mt) swivel and non-swivel hook balls with safety latch

## Fly & Attachments

- 31 ft (9.4m) lattice fly, stowable, offsettable to 2°, 15°, 30°, and 45°. Maximum tip height is 187 ft (57m).
- 31–55 ft (9.4–16.7m) two piece bi-fold lattice fly, stowable, offsettable to 2°, 15°, 30°, and 45°. Maximum tip height is 211 ft (64.3m).
- 10 ft (3.0m) lattice fly, stowable, offsettable to 2°, 15°, 30°, and 45°. Maximum tip height is 166 ft (50.6m).
- 10–31 ft two piece lattice fly, stowable, offsettable to 2°, 15°, 30°, and 45°. Maximum tip height is 187 ft (57m).
- 10–31–55 ft three piece bi-fold lattice fly, stowable, offsettable to 2°, 15°, 30°, and 45°. Maximum tip height is 211 ft (64.3m).

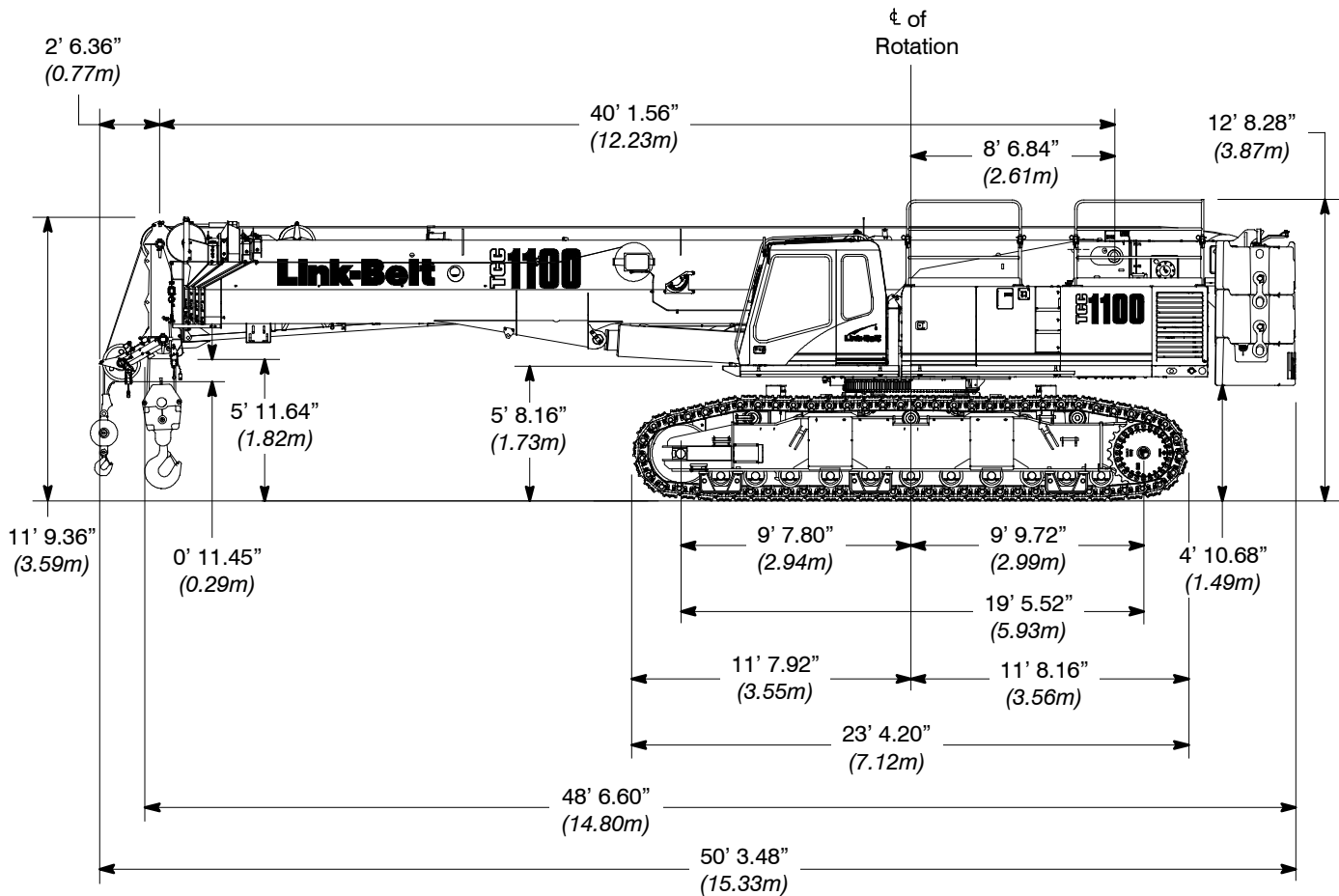
## Work Platform

- Boom mounted work platform under design.

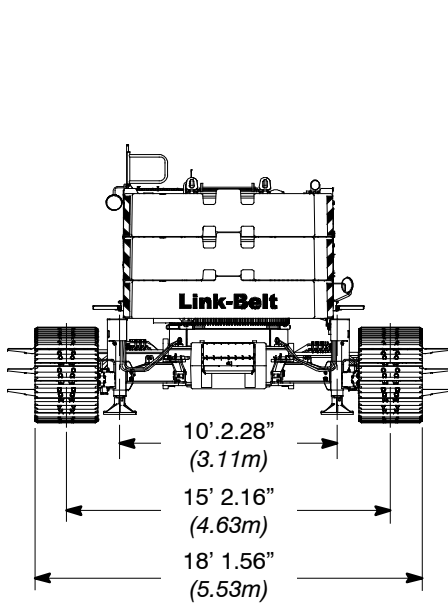
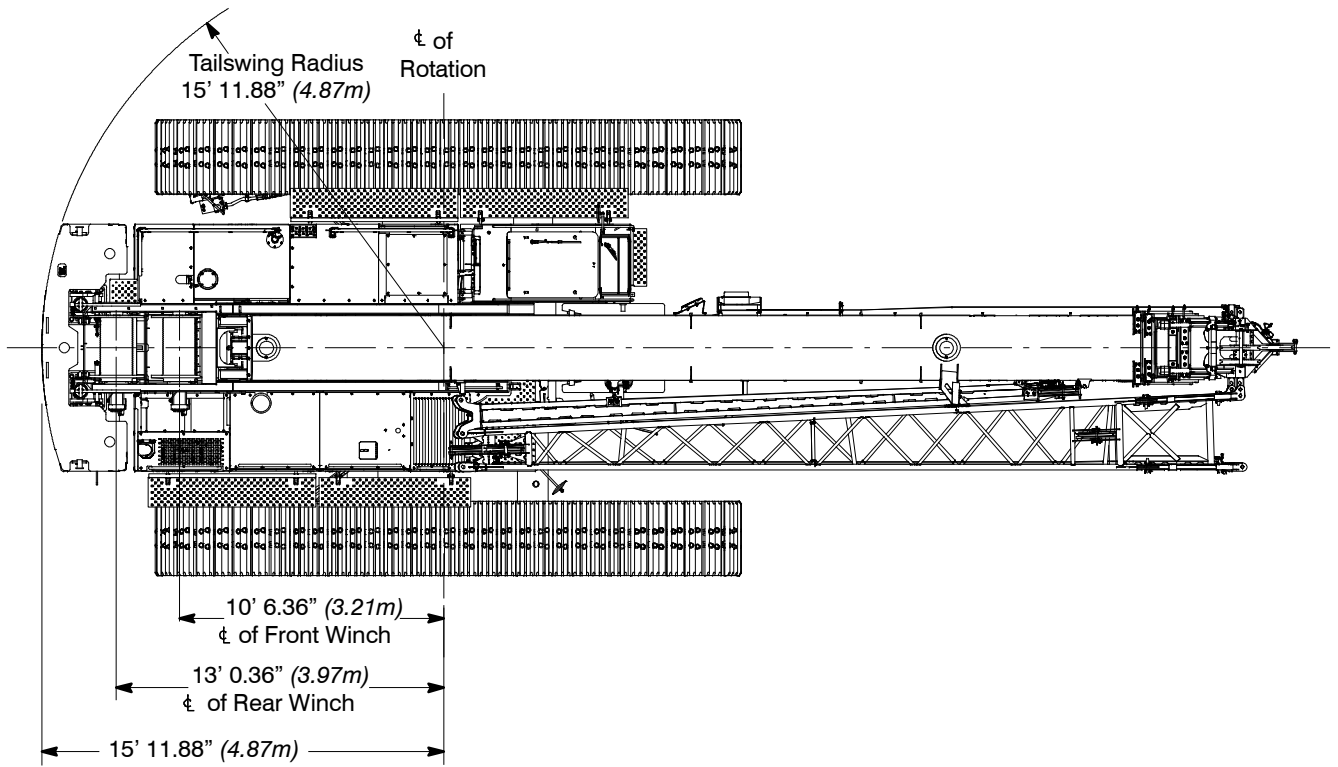
# Dimensions

## Base Crane

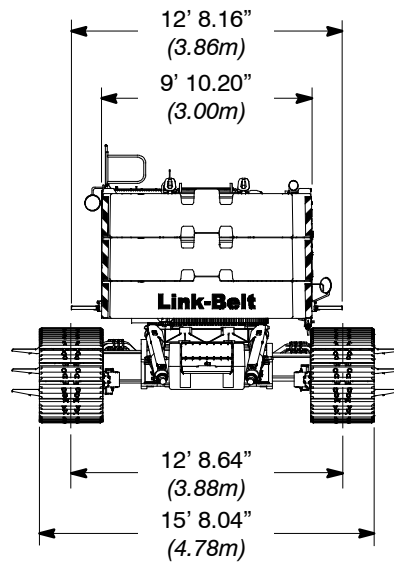
General Dimensions	English	Metric
Basic Boom	40–150 ft	12.2–45.7m
Minimum Load Radius	10 ft	3.05m
Maximum Boom Angle	80°	80°
Track Shoe Width	36 in	0.91m



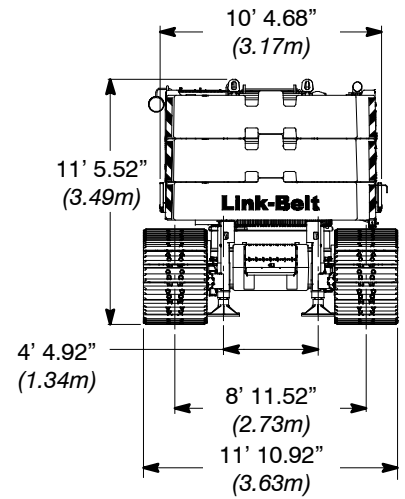




Extended Gauge



Intermediate Gauge

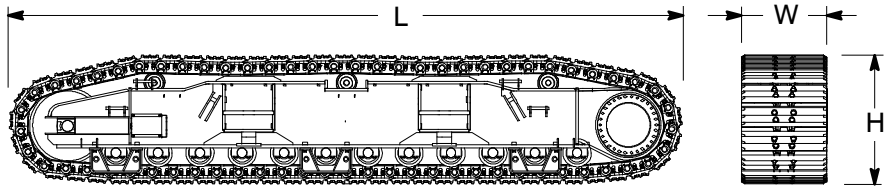


Retracted Gauge

# Side Frames

## Side Frames 2

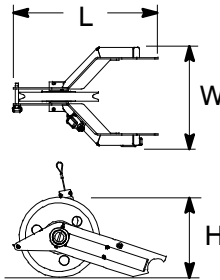
Length	280.14 in	(7.12m)
Width	35.84 in	(0.91m)
Height	53.50 in	(1.36m)
Weight	28,750 lb	(13 041kg)



# Auxiliary Lifting Sheave

## Auxiliary Lifting Sheave 1

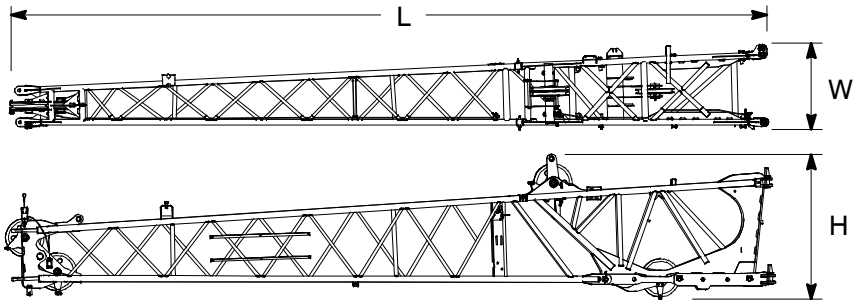
Length	11.28 in	(0.29m)
Width	5.59 in	(0.14m)
Height	4.75 in	(0.12m)
Weight	120 lb	(54kg)



# Fly

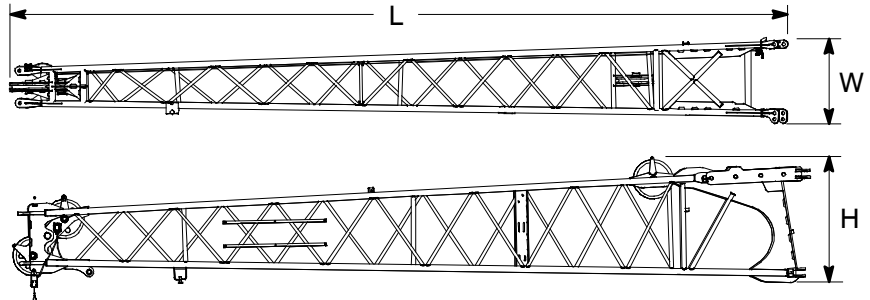
## 31 ft (9.4m) two Piece Lattice Fly (Optional Base) 1

Length	31 ft	(9.45m)
Width	42.34 in	(1.08m)
Height	6' 0.48 in	(1.84m)
Weight	2,667 lb	(1 210kg)



## 31 ft (9.4m) One Piece Lattice Fly (Base Fly) 1

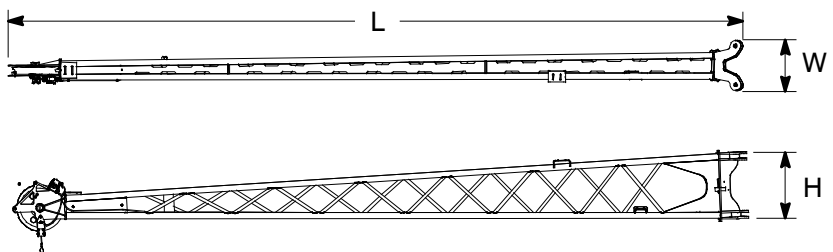
Length	31 ft	(9.45m)
Width	32.75 in	(0.83m)
Height	43.85 in	(1.11m)
Weight	1,999 lb	(907kg)



## 24 ft (7.3m) Lattice Fly Tip (Addition To Base Fly For 31 - 55 ft (9.4 - 16.7m) Bi-fold Fly) 1

## Bi-fold Fly 1

Length	24 ft	(7.32m)
Width	16.63 in	(0.42m)
Height	24.52 in	(0.62m)
Weight	810 lb	(367kg)



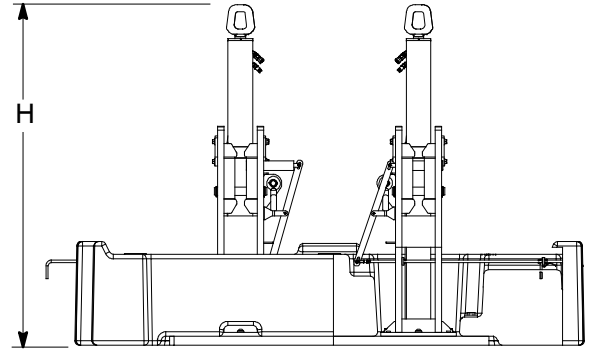
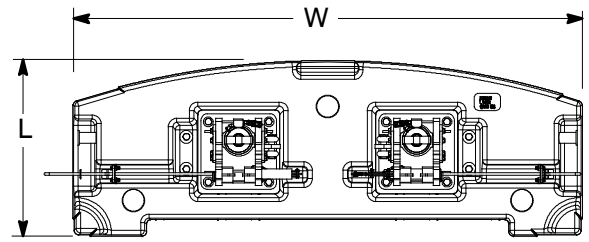
Number inside black circle "1" = # of components

\* - Optional equipment

# Counterweights

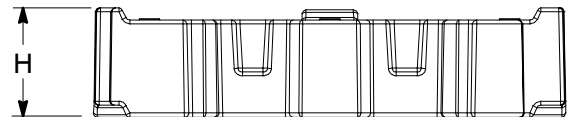
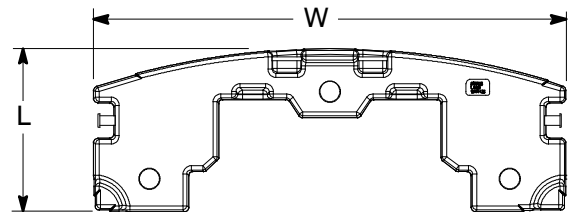
## “A” Counterweight ①

Length	40.64 in	(1.03m)
Width	9 ft 10 in	(3.00m)
Height	6 ft 7.0 in	(2.00m)
Weight	19,000 lb	(8 618kg)



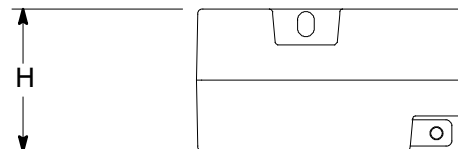
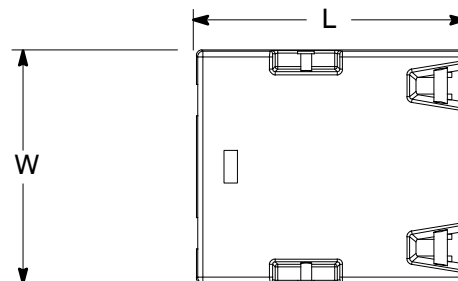
## “B” & “C” Counterweights ②

Length	40.7 in	(1.03m)
Width	9 ft 10 in	(3.00m)
Height	27.20 in	(0.69m)
Weight	16,000 lb	(7 257kg)



## “A” Carbody Counterweights ②

Length	49.0 in	(1.24m)
Width	42.5 in	(1.08m)
Height	26.0 in	(0.66m)
Weight	12,500 lb	(5 670kg)



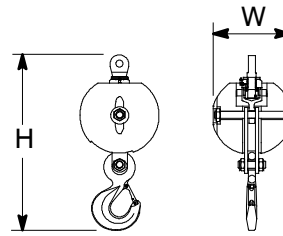
Number inside black circle “①” = # of components  
 \* – Optional equipment

# Hook Balls

## 12 Ton (10.9mt) Swivel

### Hook Ball\* 1

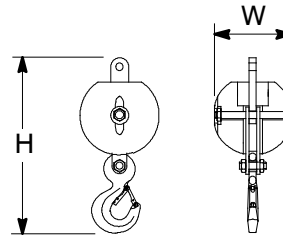
Width	17.93 in	(0.46m)
Height	36.26 in	(0.92m)
Weight	722 lb	(327kg)



## 12 Ton (10.9mt) Non-Swivel

### Hook Ball\* 1

Width	17.93 in	(0.46m)
Height	36.26 in	(0.92m)
Weight	722 lb	(327kg)

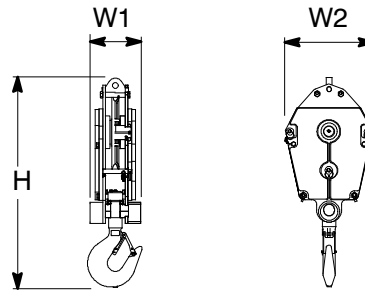


# Hook Blocks

## 35 Ton (31.8mt)

### 1-Sheave Hook Block\* 1

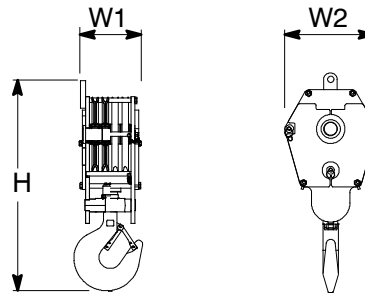
Width1	11.19 in	(0.28m)
Width2	23.88 in	(0.61m)
Height	57.31 in	(1.46m)
Weight	1,100 lb	(499kg)



## 50 Ton (45.4mt)

### 4-Sheave Hook Block\* 1

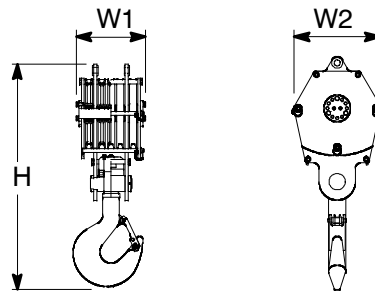
Width1	15.81 in	(0.40m)
Width2	24 in	(0.61m)
Height	57.35 in	(1.46m)
Weight	1,195 lb	(542kg)



## 80 Ton (72.6mt)

### 5-Sheave Hook Block\* 1

Width1	20 in	(0.51m)
Width2	24 in	(0.61m)
Height	64.56 in	(1.64m)
Weight	1,411 lb	(640kg)

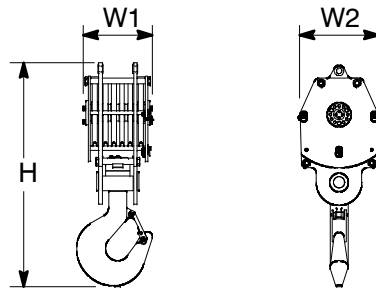


Number inside black circle "1" = # of components

\* - Optional equipment

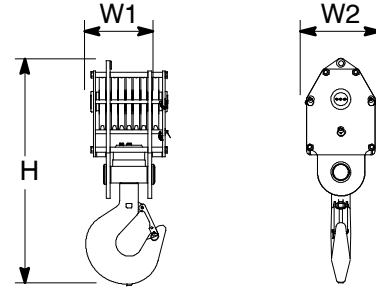
## 100 Ton (90.7mt) 6–Sheave Hook Block\* ①

Width1	20.94 in	(0.53m)
Width2	24 in	(0.61m)
Height	67.61 in	(1.72m)
Weight	1,750 lb	(794kg)



## 140 Ton (127.0mt) 7–Sheave Hook Block\* ①

Width1	23.10 in	(0.54m)
Width2	22.25 in	(0.57m)
Height	72.28 in	(1.84m)
Weight	2,394 lb	(1 086kg)



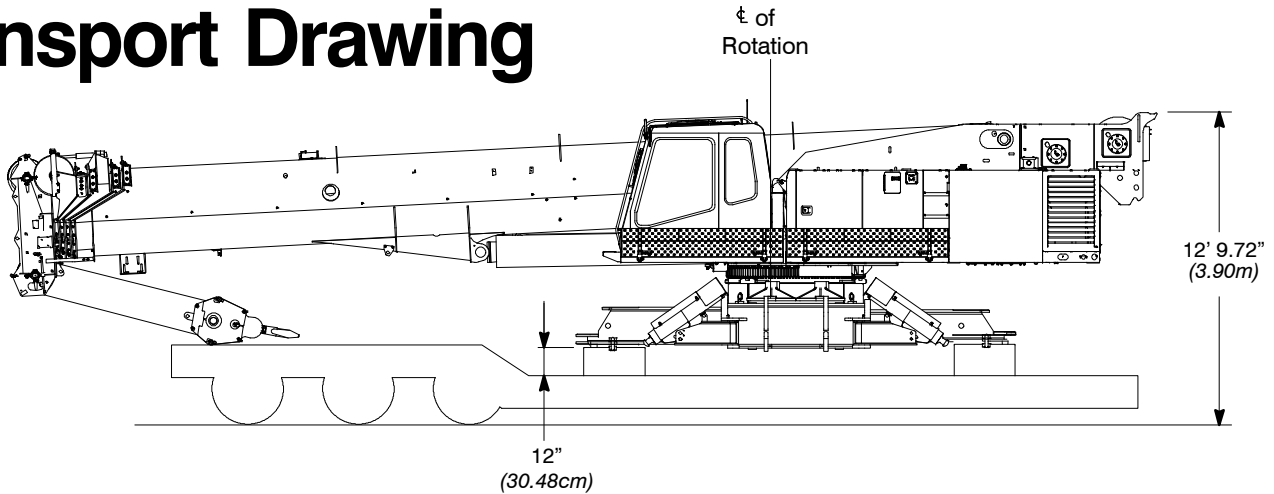
Number inside black circle “①” = # of components  
\* – Optional equipment

# Working Weights

Option	Description	Gross Weight lb (kg)	Ground Bearing Pressure (on soft ground) psi (kg/cm <sup>2</sup> )
1	Base crane, "ABC" counterweight, 2 piece carbody counterweight, 850 ft (259.0m) type "ZB" main wire rope, 500 ft (152.4m) type "ZB" auxiliary wire rope, 2–piece fly, 80 ton (72.6mt) 5 sheave hook block, and 12 ton (10.89mt) hook ball. and a 200 lb (90.7kg) operator.	223,000 (101 151kg)	13.26 (0.93)

Notes: Ground bearing pressure is based on the total weight distributed evenly over the track contact area.

# Transport Drawing



**Transport Weight – 89,000 lb (40 370kg)**

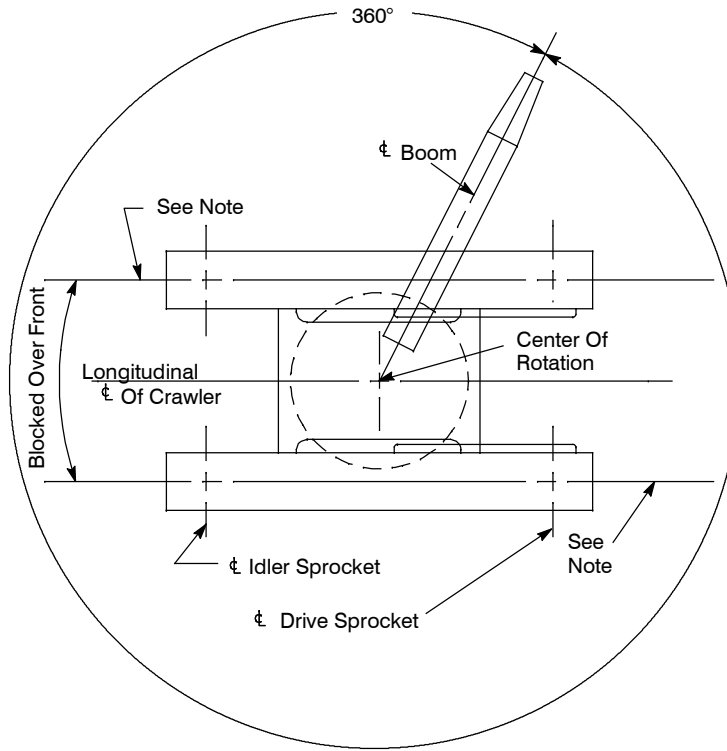
Base crane, 850 ft (259.08m) type "ZB" main wire rope, 500 ft (152.40m) type "ZB" auxiliary wire rope, 2–piece fly, 80 ton (72.6mt) 5 sheave hook block, and 12 ton (10.89mt) hook ball

# Load Hoist Performance

Main (Rear) and Auxiliary (Front) Winches – 7/8 in (22mm) Rope										
Layer	Maximum Line Pull		Normal Line Speed		High Line Speed		Layer		Total	
	lb	kg	ft/min	m/min	ft/min	m/min	ft	m	ft	m
1	21,120	9 579.9	174	53.0	348	106.1	125	38.1	125	38.1
2	19,056	8 643.7	193	58.8	386	117.7	138	42.0	263	80.2
3	17,359	7 873.9	211	64.3	423	128.9	152	46.3	415	126.5
4	15,940	7 230.3	230	70.1	461	140.5	165	50.3	580	179.2
5	14,735	6 683.7	249	75.9	499	152.1	179	54.6	759	231.3
6	13,700	6 214.2	268	81.7	537	163.7	192	58.5	951	289.9

Wire Rope Application		Diameter		Type	Maximum Permissible Load	
		in	mm		lb	kg
Main (Rear) Winch	Standard	7/8	22	36x7 rotation resistant – right regular lay or right lang lay (Type ZB)	20,920	9 489.2
	Optional	7/8	22	18x19 rotation resistant – right regular lay or right lang lay (Type RB)	17,520	7 946.9
Auxiliary (Front) Winch	Standard	7/8	22	36x7 rotation resistant – right regular lay (Type ZB)	20,920	9 989.2
	Optional	7/8	22	18x19 rotation resistant – right regular lay (Type RB)	17,520	7 946.9

# Working Areas

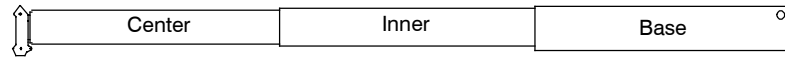


**Note:** These Lines Determine The Limiting Position Of Any Load For Operation Within Working Areas Indicated.

# Boom Extend Modes

## Boom Mode “Amax<sup>1</sup>”

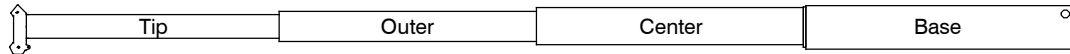
Inner and center sections telescope simultaneously



Telescope Length – ft (m)		Boom Length – ft (m)
0 (0)	0 (0)	40 (12.2)
5.0 (1.5)	5.0 (1.5)	50 (15.2)
10.0 (3.0)	10.0 (3.0)	60 (18.3)
15.0 (4.6)	15.0 (4.6)	70 (21.3)
20.0 (6.1)	20.0 (6.1)	80 (24.4)
25.0 (7.6)	25.0 (7.6)	90 (27.4)
27.5 (8.4)	27.5 (8.4)	95 (29.0)

## Boom Mode “Amax<sup>2</sup>”

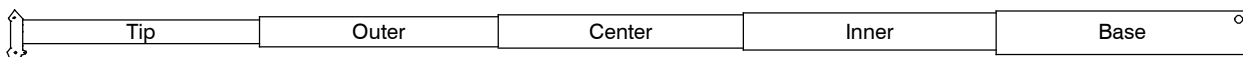
Center, outer, and tip sections telescope simultaneously



Telescope Length – ft (m)			Boom Length – ft (m)
0 (0)	0 (0)	0 (0)	40 (12.2)
3.33 (1.0)	3.33 (1.0)	3.33 (1.0)	50 (15.2)
6.66 (2.0)	6.66 (2.0)	6.66 (2.0)	60 (18.3)
10.00 (3.0)	10.00 (3.0)	10.00 (3.0)	70 (21.3)
13.33 (4.1)	13.33 (4.1)	13.33 (4.1)	80 (24.4)
16.66 (5.1)	16.66 (5.1)	16.66 (5.1)	90 (27.4)
20.00 (6.1)	20.00 (6.1)	20.00 (6.1)	100 (30.5)
23.33 (7.1)	23.33 (7.1)	23.33 (7.1)	110 (33.5)
27.50 (8.4)	27.50 (8.4)	27.50 (8.4)	122.5 (37.3)

## Boom Mode “Standard”

Inner, center, outer, and tip sections telescope simultaneously

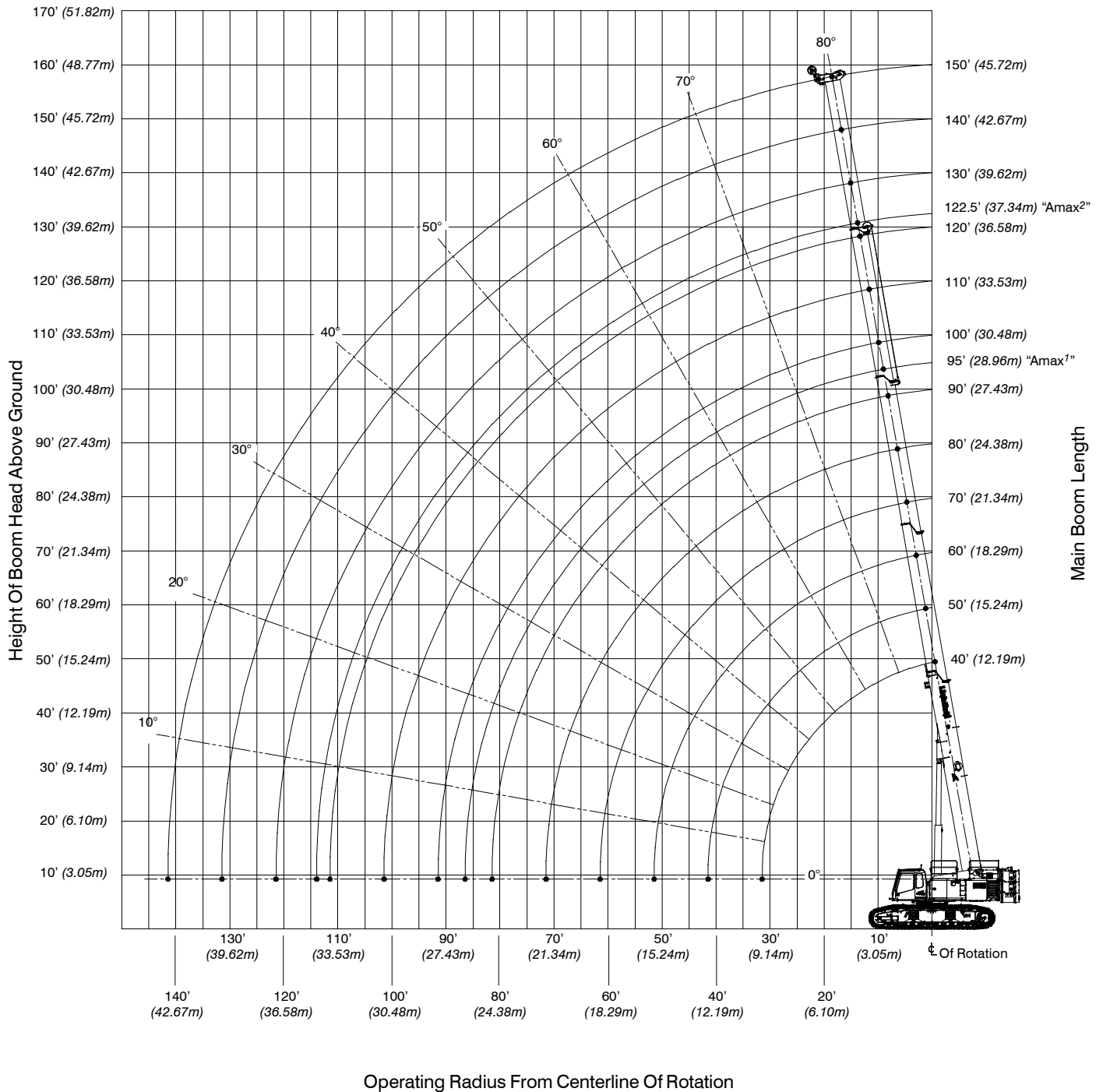


Telescope Length – ft (m)				Boom Length – ft (m)
0 (0)	0 (0)	0 (0)	0 (0)	40 (12.2)
2.5 (0.8)	2.5 (0.8)	2.5 (0.8)	2.5 (0.8)	50 (15.2)
5.0 (1.5)	5.0 (1.5)	5.0 (1.5)	5.0 (1.5)	60 (18.3)
7.5 (2.3)	7.5 (2.3)	7.5 (2.3)	7.5 (2.3)	70 (21.3)
10.0 (3.0)	10.0 (3.0)	10.0 (3.0)	10.0 (3.0)	80 (24.4)
12.5 (3.8)	12.5 (3.8)	12.5 (3.8)	12.5 (3.8)	90 (27.4)
15.0 (4.6)	15.0 (4.6)	15.0 (4.6)	15.0 (4.6)	100 (30.5)
17.5 (5.3)	17.5 (5.3)	17.5 (5.3)	17.5 (5.3)	110 (33.5)
20.0 (6.1)	20.0 (6.1)	20.0 (6.1)	20.0 (6.1)	120 (36.6)
22.5 (6.9)	22.5 (6.9)	22.5 (6.9)	22.5 (6.9)	130 (39.6)
25.0 (7.6)	25.0 (7.6)	25.0 (7.6)	25.0 (7.6)	140 (42.7)
27.5 (8.4)	27.5 (8.4)	27.5 (8.4)	27.5 (8.4)	150 (45.7)



# Working Range Diagrams

## Main Boom

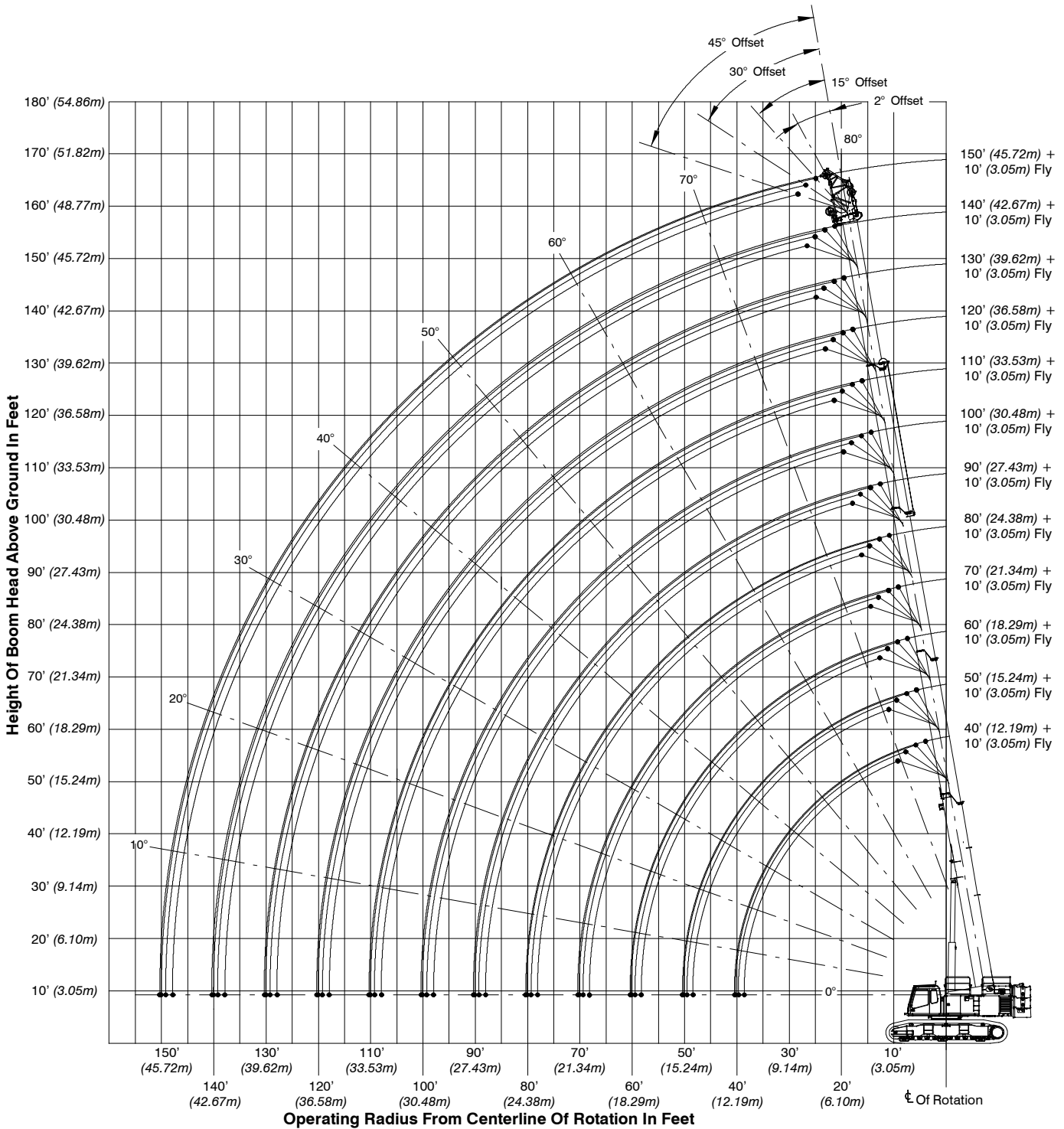


*All-West Crane & Rigging Ltd.*

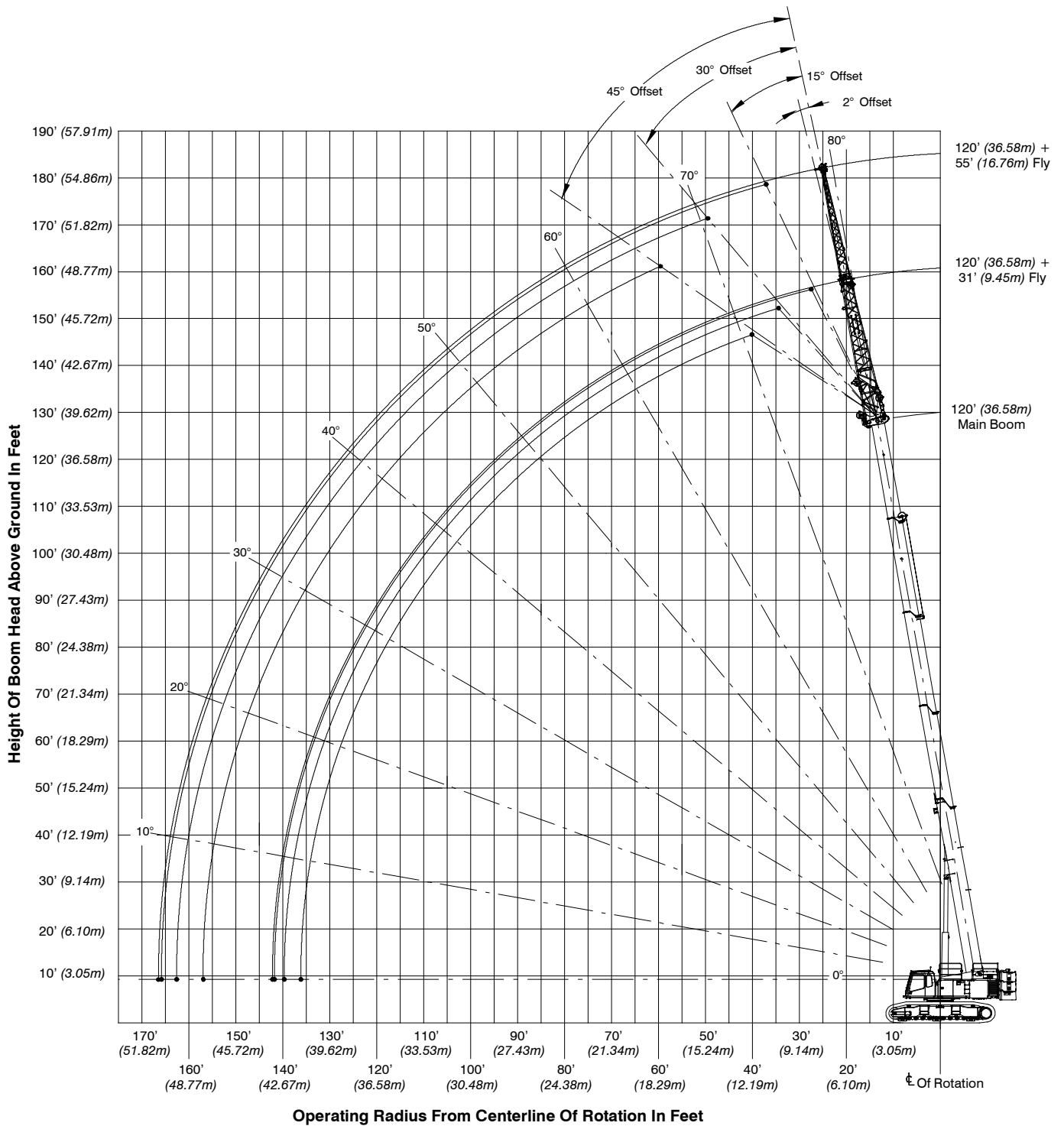
TCC-1100

250-249-5151

# 150' Main Boom + 10' Fly



# 120' Main Boom + 31-55' Fly

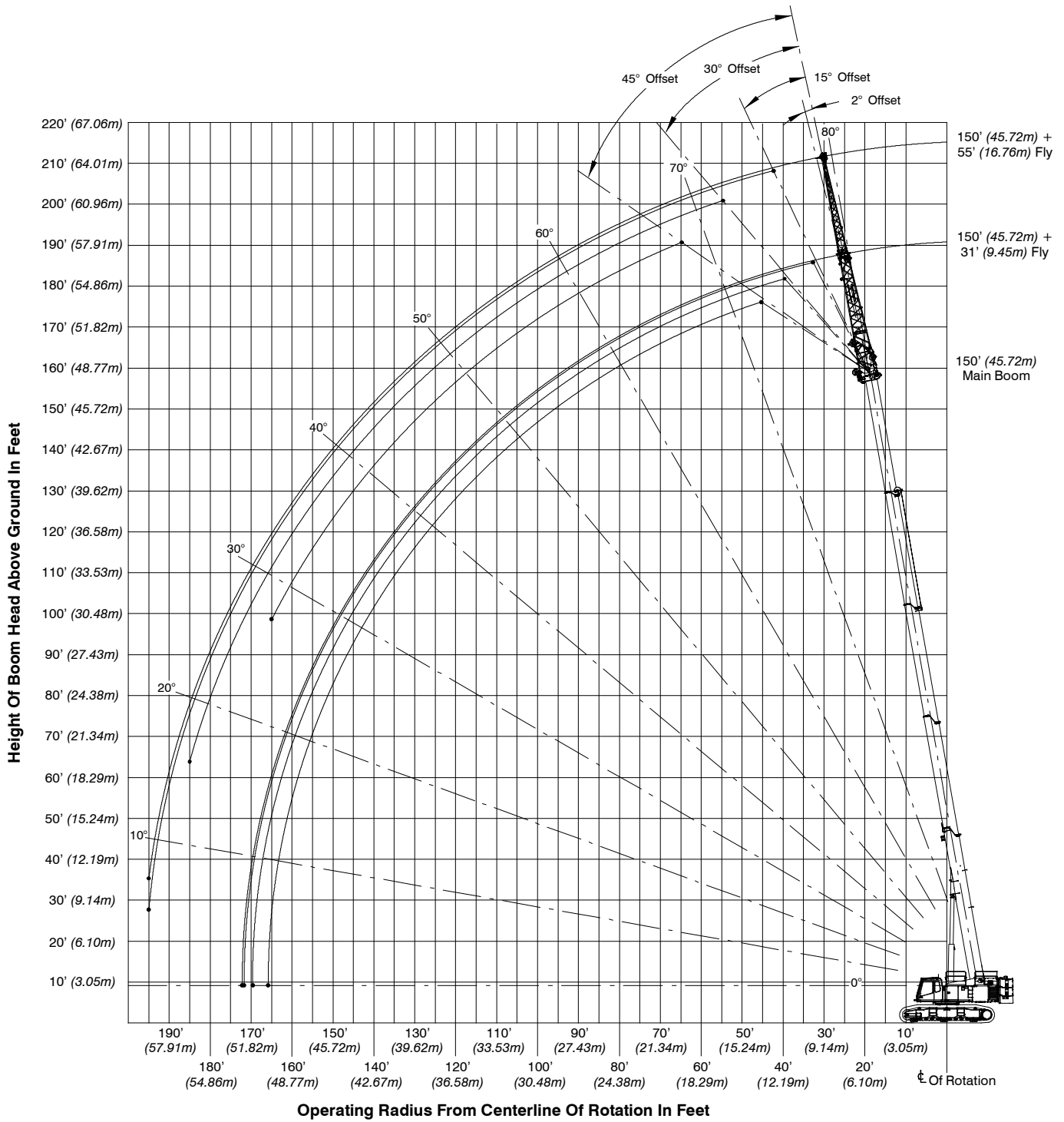


*All-West Crane & Rigging Ltd.*

TCC-1100

250-249-5151

# 150' Main Boom + 31-55' Fly



# Main Boom Load Charts

Main Boom Lift Capacity Chart – 360° Rotation – Fully Extended Tracks ABC+A [76,000 lb (34 473kg)] Counterweight [All capacities are listed in kips (mt)]													
Load Radius ft (m)	Main Boom												Load Radius ft (m)
	Boom Length – ft (m)												
	40 (12.2)	50 (15.2)	60 (18.3)	70 (21.3)	80 (24.4)	90 (27.4)	100 (30.5)	110 (33.5)	120 (36.6)	130 (39.6)	140 (42.7)	150 (45.7)	
10 (3.0)	221.0 (100.2)	107.2 (48.6)	105.4 (47.8)	101.5 (46.0)									10 (3.1)
12 (3.7)	193.7 (87.9)	107.2 (48.6)	105.4 (47.8)	101.5 (46.0)	101.4 (46.0)								12 (3.7)
15 (4.6)	155.0 (70.3)	107.2 (48.6)	105.4 (47.8)	101.5 (46.0)	96.6 (43.8)	81.9 (37.1)	56.5 (25.6)						15 (4.6)
20 (6.1)	116.2 (52.7)	107.2 (48.6)	105.4 (47.8)	101.5 (46.0)	80.8 (36.7)	73.3 (33.2)	56.5 (25.6)	56.0 (25.4)					20 (6.1)
25 (7.6)	93.0 (42.2)	93.0 (42.2)	93.0 (42.2)	87.8 (39.8)	69.0 (31.3)	62.7 (28.4)	56.3 (25.5)	56.0 (25.4)	58.0 (26.3)				25 (7.6)
30 (9.1)	74.3 (33.7)	74.1 (33.6)	73.7 (33.4)	73.3 (33.2)	59.9 (27.2)	55.0 (24.9)	53.5 (24.3)	56.0 (25.4)	51.3 (23.3)	48.6 (22.0)	38.4 (17.4)	30.0 (13.6)	30 (9.1)
35 (10.7)		58.1 (26.4)	57.9 (26.3)	57.6 (26.1)	53.2 (24.1)	51.8 (23.5)	53.5 (24.3)	51.8 (23.5)	45.4 (20.6)	43.1 (19.5)	38.4 (17.4)	30.0 (13.6)	35 (10.7)
40 (12.2)		48.9 (22.2)	49.9 (22.6)	50.6 (23.0)	51.0 (23.1)	46.7 (21.2)	49.5 (22.5)	46.3 (21.0)	40.6 (18.4)	38.5 (17.5)	37.0 (16.8)	30.0 (13.6)	40 (12.2)
45 (13.7)			41.8 (19.0)	42.4 (19.2)	42.9 (19.5)	42.4 (19.2)	41.5 (18.8)	41.5 (18.8)	36.5 (16.6)	34.7 (15.7)	33.4 (15.1)	30.0 (13.6)	45 (13.7)
50 (15.2)			35.6 (16.1)	36.3 (16.5)	36.7 (16.6)	37.1 (16.8)	35.5 (16.1)	35.6 (16.1)	33.0 (15.0)	31.4 (14.2)	30.2 (13.7)	29.1 (13.2)	50 (15.2)
55 (16.8)				31.4 (14.2)	31.8 (14.4)	32.2 (14.6)	30.7 (13.9)	30.8 (14.0)	30.0 (13.6)	28.5 (12.9)	27.5 (12.5)	26.5 (12.0)	55 (16.8)
60 (18.3)				27.5 (12.5)	27.9 (12.7)	28.2 (12.8)	27.9 (12.7)	26.9 (12.2)	26.9 (12.2)	26.0 (11.8)	25.1 (11.4)	24.2 (11.0)	60 (18.3)
65 (19.8)					24.6 (11.2)	24.9 (11.3)	25.2 (11.4)	23.7 (10.8)	23.7 (10.8)	23.7 (10.8)	23.0 (10.4)	22.2 (10.1)	65 (19.8)
70 (21.3)					21.9 (9.9)	22.2 (10.1)	22.4 (10.2)	21.9 (9.9)	21.0 (9.5)	21.0 (9.5)	21.0 (9.5)	20.3 (9.2)	70 (21.3)
75 (22.9)						20.0 (9.1)	20.2 (9.2)	20.4 (9.3)	18.8 (8.5)	18.9 (8.6)	18.9 (8.6)	18.7 (8.5)	75 (22.9)
80 (24.4)						18.0 (8.2)	18.2 (8.3)	18.4 (8.3)	17.3 (7.8)	16.9 (7.7)	16.9 (7.7)	17.0 (7.7)	80 (24.4)
85 (25.9)							16.5 (7.5)	16.6 (7.5)	16.1 (7.3)	15.2 (6.9)	15.2 (6.9)	15.2 (6.9)	85 (25.9)
90 (27.4)							14.9 (6.8)	15.1 (6.8)	15.1 (6.8)	13.6 (6.2)	13.7 (6.2)	13.7 (6.2)	90 (27.4)
95 (29.0)								13.8 (6.3)	13.9 (6.3)	12.3 (5.6)	12.3 (5.6)	12.4 (5.6)	95 (29.0)
100 (30.5)								12.6 (5.7)	12.7 (5.8)	11.1 (5.0)	11.1 (5.0)	11.2 (5.1)	100 (30.5)
105 (32.0)									11.7 (5.3)	10.0 (4.5)	10.1 (4.6)	10.1 (4.6)	105 (32.0)
110 (33.5)									10.7 (4.9)	9.0 (4.1)	9.1 (4.1)	9.1 (4.1)	110 (33.5)
115 (35.1)										8.2 (3.7)	8.2 (3.7)	8.3 (3.8)	115 (35.1)
120 (36.6)										7.4 (3.4)	7.4 (3.4)	7.5 (3.4)	120 (36.6)
125 (38.1)											6.7 (3.0)	6.7 (3.0)	125 (38.1)
130 (39.6)											6.0 (2.7)	6.1 (2.8)	130 (39.6)
135 (41.1)												5.5 (2.5)	135 (41.1)
140 (42.7)												4.9 (2.2)	140 (42.7)

This material is supplied for reference use only. Operator must refer to in-cab Crane Rating Manual and Operator's Manual to determine allowable crane lifting capacities and assembly and operating procedures.

*All-West Crane & Rigging Ltd.*

TCC-1100

250-249-5151

Main Boom Lift Capacity Chart – 360° Rotation – Fully Extended Tracks ABC+A [76,000 lb (34 473kg)] Counterweight [All capacities are listed in kips (mt)]													
Load Radius ft (m)	Main Boom + 10 ft Manual Offset Fly (2" Offsets)												Load Radius ft (m)
	Boom Length ft (m)												
	40 (12.2)	50 (15.2)	60 (18.3)	70 (21.3)	80 (24.4)	90 (27.4)	100 (30.5)	110 (33.5)	120 (36.6)	130 (39.6)	140 (42.7)	150 (45.7)	
10 (3.0)	62.4 (28.3)	62.3 (28.3)											10 (3.0)
12 (3.7)	62.4 (28.3)	62.3 (28.3)	62.3 (28.3)										12 (3.7)
15 (4.6)	62.4 (28.3)	62.3 (28.3)	62.3 (28.3)	62.3 (28.3)	62.2 (28.2)								15 (4.6)
20 (6.1)	61.6 (27.9)	62.3 (28.3)	62.3 (28.3)	62.3 (28.3)	62.2 (28.2)	62.2 (28.2)							20 (6.1)
25 (7.6)	56.1 (25.4)	61.6 (27.9)	62.3 (28.3)	62.3 (28.3)	62.2 (28.2)	62.2 (28.2)	62.1 (28.2)	57.1 (25.9)	53.3 (24.2)				25 (7.6)
30 (9.1)	51.7 (23.5)	56.9 (25.8)	61.3 (27.8)	62.3 (28.3)	62.2 (28.2)	62.2 (28.2)	62.1 (28.2)	50.9 (23.1)	47.1 (21.4)	39.2 (17.8)	31.0 (14.1)	24.1 (10.9)	30 (9.1)
35 (10.7)	48.5 (22.0)	53.1 (24.1)	57.4 (26.0)	60.6 (27.5)	60.5 (27.4)	60.4 (27.4)	55.6 (25.2)	45.9 (20.8)	41.8 (19.0)	39.2 (17.8)	31.0 (14.1)	24.1 (10.9)	35 (10.7)
40 (12.2)	46.4 (21.0)	49.7 (22.5)	49.7 (22.5)	49.6 (22.5)	49.5 (22.5)	49.4 (22.4)	49.3 (22.4)	41.8 (19.0)	37.6 (17.1)	35.5 (16.1)	31.0 (14.1)	24.1 (10.9)	40 (12.2)
45 (13.7)		41.6 (18.9)	41.6 (18.9)	41.6 (18.9)	41.5 (18.8)	41.4 (18.8)	41.4 (18.8)	38.2 (17.3)	33.8 (15.3)	32.0 (14.5)	30.7 (13.9)	24.1 (10.9)	45 (13.7)
50 (15.2)		35.6 (16.1)	35.5 (16.1)	35.5 (16.1)	35.5 (16.1)	35.4 (16.1)	35.3 (16.0)	35.1 (15.9)	30.6 (13.9)	28.9 (13.1)	27.8 (12.6)	24.1 (10.9)	50 (15.2)
55 (16.8)				30.6 (13.9)	30.6 (13.9)	30.6 (13.9)	30.5 (13.8)	30.4 (13.8)	27.8 (12.6)	26.3 (11.9)	25.3 (11.5)	24.1 (10.9)	55 (16.8)
60 (18.3)				26.7 (12.1)	26.7 (12.1)	26.7 (12.1)	26.6 (12.1)	26.5 (12.0)	25.3 (11.5)	24.0 (10.9)	23.0 (10.4)	20.0 (9.1)	60 (18.3)
65 (19.8)					23.5 (10.7)	23.4 (10.6)	23.4 (10.6)	23.3 (10.6)	23.2 (10.5)	21.9 (9.9)	21.0 (9.5)	20.0 (9.1)	65 (19.8)
70 (21.3)					20.8 (9.4)	20.7 (9.4)	20.7 (9.4)	20.7 (9.4)	20.6 (9.3)	20.3 (9.2)	19.5 (8.8)	18.7 (8.5)	70 (21.3)
75 (22.9)						18.5 (8.4)	18.5 (8.4)	18.5 (8.4)	18.5 (8.4)	18.4 (8.3)	17.9 (8.1)	17.2 (7.8)	75 (22.9)
80 (24.4)						16.5 (7.5)	16.5 (7.5)	16.5 (7.5)	16.5 (7.5)	16.5 (7.5)	16.4 (7.4)	15.8 (7.2)	80 (24.4)
85 (25.9)							14.8 (6.7)	14.8 (6.7)	14.8 (6.7)	14.7 (6.7)	14.7 (6.7)	14.6 (6.6)	85 (25.9)
90 (27.4)							13.3 (6.0)	13.3 (6.0)	13.2 (6.0)	13.2 (6.0)	13.2 (6.0)	13.2 (6.0)	90 (27.4)
95 (29.0)								11.9 (5.4)	11.9 (5.4)	11.9 (5.4)	11.9 (5.4)	11.8 (5.4)	95 (29.0)
100 (30.5)								10.7 (4.9)	10.7 (4.9)	10.7 (4.9)	10.7 (4.9)	10.6 (4.8)	100 (30.5)
105 (32.0)									9.6 (4.4)	9.6 (4.4)	9.6 (4.4)	9.6 (4.4)	105 (32.0)
110 (33.5)									8.7 (3.9)	8.7 (3.9)	8.6 (3.9)	8.6 (3.9)	110 (33.5)
115 (35.1)										7.8 (3.5)	7.8 (3.5)	7.7 (3.5)	115 (35.1)
120 (36.6)										7.0 (3.2)	7.0 (3.2)	6.9 (3.1)	120 (36.6)
125 (38.1)											6.2 (2.8)	6.2 (2.8)	125 (38.1)
130 (39.6)											5.6 (2.5)	5.6 (2.5)	130 (39.6)
135 (41.1)												4.9 (2.2)	135 (41.1)
140 (42.7)												4.4 (2.0)	140 (42.7)
145 (44.2)												3.9 (1.8)	145 (44.2)

This material is supplied for reference use only. Operator must refer to in-cab Crane Rating Manual and Operator's Manual to determine allowable crane lifting capacities and assembly and operating procedures.

Main Boom Lift Capacity Chart – 360° Rotation – Fully Extended Tracks													
ABC+A [76,000 lb (34 473kg)] Counterweight													
[All capacities are listed in kips (mt)]													
Load Radius ft (m)	Main Boom + 10 ft Manual Offset Fly (15° Offsets)												Load Radius ft (m)
	Boom Length ft (m)												
	40 (12.2)	50 (15.2)	60 (18.3)	70 (21.3)	80 (24.4)	90 (27.4)	100 (30.5)	110 (33.5)	120 (36.6)	130 (39.6)	140 (42.7)	150 (45.7)	
10 (3.0)	62.4 (28.3)	62.3 (28.3)											10 (3.0)
12 (3.7)	61.9 (28.1)	62.3 (28.3)	62.3 (28.3)										12 (3.7)
15 (4.6)	58.7 (26.6)	61.7 (28.0)	62.3 (28.3)	62.3 (28.3)									15 (4.6)
20 (6.1)	54.3 (24.6)	57.5 (26.1)	59.9 (27.2)	61.2 (27.8)	61.3 (27.8)	61.1 (27.7)							20 (6.1)
25 (7.6)	50.9 (23.1)	54.0 (24.5)	56.5 (25.6)	58.1 (26.4)	58.7 (26.6)	58.8 (26.7)	58.6 (26.6)	55.7 (25.3)	52.2 (23.7)				25 (7.6)
30 (9.1)	48.3 (21.9)	51.2 (23.2)	53.7 (24.4)	55.4 (25.1)	56.3 (25.5)	56.7 (25.7)	56.7 (25.7)	49.9 (22.6)	46.8 (21.2)	39.1 (17.7)	31.0 (14.1)		30 (9.1)
35 (10.7)	47.2 (21.4)	49.0 (22.2)	51.3 (23.3)	53.1 (24.1)	54.2 (24.6)	54.7 (24.8)	54.9 (24.9)	45.1 (20.5)	42.1 (19.1)	39.1 (17.7)	31.0 (14.1)	24.1 (10.9)	35 (10.7)
40 (12.2)	46.6 (21.1)	47.3 (21.5)	49.4 (22.4)	50.2 (22.8)	50.1 (22.7)	50.0 (22.7)	49.9 (22.6)	41.1 (18.6)	37.9 (17.2)	35.9 (16.3)	31.0 (14.1)	24.1 (10.9)	40 (12.2)
45 (13.7)		42.0 (19.1)	42.0 (19.1)	42.1 (19.1)	42.0 (19.1)	41.9 (19.0)	41.8 (19.0)	37.7 (17.1)	34.1 (15.5)	32.3 (14.7)	31.0 (14.1)	24.1 (10.9)	45 (13.7)
50 (15.2)		35.8 (16.2)	35.9 (16.3)	35.9 (16.3)	35.9 (16.3)	35.8 (16.2)	35.7 (16.2)	34.7 (15.7)	30.9 (14.0)	29.2 (13.2)	28.1 (12.7)	24.1 (10.9)	50 (15.2)
55 (16.8)				31.0 (14.1)	31.0 (14.1)	30.9 (14.0)	30.9 (14.0)	30.8 (14.0)	28.0 (12.7)	26.6 (12.1)	25.6 (11.6)	24.1 (10.9)	55 (16.8)
60 (18.3)				27.0 (12.2)	27.0 (12.2)	27.0 (12.2)	27.0 (12.2)	26.9 (12.2)	25.6 (11.6)	24.2 (11.0)	23.3 (10.6)	20.0 (9.1)	60 (18.3)
65 (19.8)					23.7 (10.8)	23.7 (10.8)	23.7 (10.8)	23.7 (10.8)	23.5 (10.7)	22.2 (10.1)	21.3 (9.7)	20.0 (9.1)	65 (19.8)
70 (21.3)					21.0 (9.5)	21.0 (9.5)	21.0 (9.5)	20.9 (9.5)	20.9 (9.5)	20.5 (9.3)	19.7 (8.9)	19.0 (8.6)	70 (21.3)
75 (22.9)						18.7 (8.5)	18.7 (8.5)	18.7 (8.5)	18.7 (8.5)	18.7 (8.5)	18.1 (8.2)	17.4 (7.9)	75 (22.9)
80 (24.4)						16.7 (7.6)	16.7 (7.6)	16.7 (7.6)	16.7 (7.6)	16.7 (7.6)	16.7 (7.6)	16.0 (7.3)	80 (24.4)
85 (25.9)							15.0 (6.8)	15.0 (6.8)	15.0 (6.8)	15.0 (6.8)	14.9 (6.8)	14.8 (6.7)	85 (25.9)
90 (27.4)							13.4 (6.1)	13.4 (6.1)	13.4 (6.1)	13.4 (6.1)	13.4 (6.1)	13.4 (6.1)	90 (27.4)
95 (29.0)								12.1 (5.5)	12.1 (5.5)	12.1 (5.5)	12.1 (5.5)	12.0 (5.4)	95 (29.0)
100 (30.5)								10.9 (4.9)	10.9 (4.9)	10.9 (4.9)	10.8 (4.9)	10.8 (4.9)	100 (30.5)
105 (32.0)									9.8 (4.4)	9.8 (4.4)	9.8 (4.4)	9.7 (4.4)	105 (32.0)
110 (33.5)									8.8 (4.0)	8.8 (4.0)	8.8 (4.0)	8.8 (4.0)	110 (33.5)
115 (35.1)										7.9 (3.6)	7.9 (3.6)	7.9 (3.6)	115 (35.1)
120 (36.6)										7.1 (3.2)	7.1 (3.2)	7.1 (3.2)	120 (36.6)
125 (38.1)											6.3 (2.9)	6.3 (2.9)	125 (38.1)
130 (39.6)											5.7 (2.6)	5.7 (2.6)	130 (39.6)
135 (41.1)												5.0 (2.3)	135 (41.1)
140 (42.7)												4.5 (2.0)	140 (42.7)
145 (44.2)												3.9 (1.8)	145 (44.2)

This material is supplied for reference use only. Operator must refer to in-cab Crane Rating Manual and Operator's Manual to determine allowable crane lifting capacities and assembly and operating procedures.

Main Boom Lift Capacity Chart – 360° Rotation – Fully Extended Tracks													
ABC+A [76,000 lb (34 473kg)] Counterweight													
[All capacities are listed in kips (mt)]													
Load Radius ft (m)	Main Boom + 10 ft Manual Offset Fly (30° Offsets)												Load Radius ft (m)
	Boom Length ft (m)												
	40 (12.2)	50 (15.2)	60 (18.3)	70 (21.3)	80 (24.4)	90 (27.4)	100 (30.5)	110 (33.5)	120 (36.6)	130 (39.6)	140 (42.7)	150 (45.7)	
10 (3.0)	54.8 (24.9)	56.0 (25.4)											10 (3.0)
12 (3.7)	53.4 (24.2)	54.8 (24.9)	55.7 (25.3)										12 (3.7)
15 (4.6)	51.6 (23.4)	53.1 (24.1)	54.1 (24.5)	54.6 (24.8)									15 (4.6)
20 (6.1)	49.2 (22.3)	50.7 (23.0)	51.9 (23.5)	52.5 (23.8)	52.6 (23.9)	52.5 (23.8)							20 (6.1)
25 (7.6)	47.4 (21.5)	48.8 (22.1)	50.0 (22.7)	50.8 (23.0)	51.1 (23.2)	51.1 (23.2)	50.9 (23.1)	50.4 (22.9)					25 (7.6)
30 (9.1)	46.3 (21.0)	47.4 (21.5)	48.5 (22.0)	49.3 (22.4)	49.7 (22.5)	49.8 (22.6)	49.8 (22.6)	49.0 (22.2)	46.1 (20.9)	39.2 (17.8)			30 (9.1)
35 (10.7)	46.3 (21.0)	46.5 (21.1)	47.4 (21.5)	48.1 (21.8)	48.5 (22.0)	48.7 (22.1)	48.7 (22.1)	44.4 (20.1)	41.8 (19.0)	39.2 (17.8)	31.0 (14.1)	24.1 (10.9)	35 (10.7)
40 (12.2)	46.3 (21.0)	46.1 (20.9)	46.5 (21.1)	47.1 (21.4)	47.5 (21.5)	47.8 (21.7)	47.8 (21.7)	40.7 (18.5)	38.2 (17.3)	36.2 (16.4)	31.0 (14.1)	24.1 (10.9)	40 (12.2)
45 (13.7)		42.3 (19.2)	42.5 (19.3)	42.5 (19.3)	42.4 (19.2)	42.4 (19.2)	42.3 (19.2)	37.4 (17.0)	34.5 (15.6)	32.7 (14.8)	31.0 (14.1)	24.1 (10.9)	45 (13.7)
50 (15.2)			36.2 (16.4)	36.3 (16.5)	36.3 (16.5)	36.2 (16.4)	36.2 (16.4)	34.5 (15.6)	31.2 (14.2)	29.6 (13.4)	28.5 (12.9)	24.1 (10.9)	50 (15.2)
55 (16.8)				31.3 (14.2)	31.3 (14.2)	31.3 (14.2)	31.3 (14.2)	31.2 (14.2)	28.4 (12.9)	26.9 (12.2)	25.9 (11.7)	24.1 (10.9)	55 (16.8)
60 (18.3)				27.2 (12.3)	27.3 (12.4)	27.3 (12.4)	27.3 (12.4)	27.2 (12.3)	25.9 (11.7)	24.5 (11.1)	23.6 (10.7)	20.0 (9.1)	60 (18.3)
65 (19.8)					23.9 (10.8)	24.0 (10.9)	24.0 (10.9)	24.0 (10.9)	23.7 (10.8)	22.5 (10.2)	21.6 (9.8)	20.0 (9.1)	65 (19.8)
70 (21.3)					21.1 (9.6)	21.2 (9.6)	21.2 (9.6)	21.2 (9.6)	21.2 (9.6)	20.8 (9.4)	20.0 (9.1)	19.2 (8.7)	70 (21.3)
75 (22.9)						18.9 (8.6)	19.0 (8.6)	19.0 (8.6)	19.0 (8.6)	19.0 (8.6)	18.4 (8.3)	17.7 (8.0)	75 (22.9)
80 (24.4)						16.8 (7.6)	16.9 (7.7)	16.9 (7.7)	17.0 (7.7)	16.9 (7.7)	16.9 (7.7)	16.3 (7.4)	80 (24.4)
85 (25.9)							15.1 (6.8)	15.1 (6.8)	15.2 (6.9)	15.2 (6.9)	15.2 (6.9)	15.0 (6.8)	85 (25.9)
90 (27.4)								13.6 (6.2)	13.6 (6.2)	13.6 (6.2)	13.6 (6.2)	13.6 (6.2)	90 (27.4)
95 (29.0)								12.2 (5.5)	12.2 (5.5)	12.2 (5.5)	12.2 (5.5)	12.2 (5.5)	95 (29.0)
100 (30.5)									11.0 (5.0)	11.0 (5.0)	11.0 (5.0)	11.0 (5.0)	100 (30.5)
105 (32.0)									9.9 (4.5)	9.9 (4.5)	9.9 (4.5)	9.9 (4.5)	105 (32.0)
110 (33.5)										8.9 (4.0)	8.9 (4.0)	8.9 (4.0)	110 (33.5)
115 (35.1)										8.0 (3.6)	8.0 (3.6)	8.0 (3.6)	115 (35.1)
120 (36.6)											7.2 (3.3)	7.2 (3.3)	120 (36.6)
125 (38.1)											6.4 (2.9)	6.4 (2.9)	125 (38.1)
130 (39.6)												5.7 (2.6)	130 (39.6)

This material is supplied for reference use only. Operator must refer to in-cab Crane Rating Manual and Operator's Manual to determine allowable crane lifting capacities and assembly and operating procedures.



Main Boom Lift Capacity Chart – 360° Rotation – Fully Extended Tracks ABC+A [76,000 lb (34 473kg)] Counterweight [All capacities are listed in kips (mt)]													
Load Radius ft (m)	Main Boom + 10 ft Manual Offset Fly (45° Offsets)												Load Radius ft (m)
	Boom Length ft (m)												
	40 (12.2)	50 (15.2)	60 (18.3)	70 (21.3)	80 (24.4)	90 (27.4)	100 (30.5)	110 (33.5)	120 (36.6)	130 (39.6)	140 (42.7)	150 (45.7)	
12 (3.7)	48.6 (22.0)	49.2 (22.3)											12 (3.7)
15 (4.6)	47.7 (21.6)	48.3 (21.9)	48.7 (22.1)										15 (4.6)
20 (6.1)	46.6 (21.1)	47.1 (21.4)	47.6 (21.6)	47.7 (21.6)	47.7 (21.6)	47.5 (21.5)							20 (6.1)
25 (7.6)	46.1 (20.9)	46.3 (21.0)	46.7 (21.2)	46.9 (21.3)	46.9 (21.3)	46.7 (21.2)	46.5 (21.1)						25 (7.6)
30 (9.1)	46.1 (20.9)	46.0 (20.9)	46.2 (21.0)	46.3 (21.0)	46.3 (21.0)	46.1 (20.9)	45.9 (20.8)	45.5 (20.6)	44.5 (20.2)				30 (9.1)
35 (10.7)		46.0 (20.9)	45.9 (20.8)	45.9 (20.8)	45.8 (20.8)	45.7 (20.7)	45.5 (20.6)	44.1 (20.0)	41.6 (18.9)	39.4 (17.9)	31.2 (14.2)		35 (10.7)
40 (12.2)		46.0 (20.9)	45.9 (20.8)	45.7 (20.7)	45.5 (20.6)	45.3 (20.5)	45.1 (20.5)	40.5 (18.4)	38.1 (17.3)	36.1 (16.4)	31.2 (14.2)	24.4 (11.1)	40 (12.2)
45 (13.7)			42.7 (19.4)	42.8 (19.4)	42.8 (19.4)	42.8 (19.4)	42.7 (19.4)	37.2 (16.9)	34.9 (15.8)	33.1 (15.0)	31.2 (14.2)	24.4 (11.1)	45 (13.7)
50 (15.2)				36.5 (16.6)	36.6 (16.6)	36.6 (16.6)	36.6 (16.6)	34.4 (15.6)	31.6 (14.3)	30.0 (13.6)	28.9 (13.1)	24.4 (11.1)	50 (15.2)
55 (16.8)				31.4 (14.2)	31.6 (14.3)	31.6 (14.3)	31.6 (14.3)	31.5 (14.3)	28.8 (13.1)	27.3 (12.4)	26.3 (11.9)	24.4 (11.1)	55 (16.8)
60 (18.3)					27.5 (12.5)	27.5 (12.5)	27.5 (12.5)	27.5 (12.5)	26.2 (11.9)	24.9 (11.3)	23.9 (10.8)	20.1 (9.1)	60 (18.3)
65 (19.8)						24.2 (11.0)	24.2 (11.0)	24.2 (11.0)	24.0 (10.9)	22.7 (10.3)	21.9 (9.9)	20.1 (9.1)	65 (19.8)
70 (21.3)							21.4 (9.7)	21.4 (9.7)	21.4 (9.7)	20.9 (9.5)	20.3 (9.2)	19.5 (8.8)	70 (21.3)
75 (22.9)							19.1 (8.7)	19.2 (8.7)	19.2 (8.7)	19.2 (8.7)	18.6 (8.4)	17.9 (8.1)	75 (22.9)
80 (24.4)								17.1 (7.8)	17.1 (7.8)	17.1 (7.8)	17.1 (7.8)	16.5 (7.5)	80 (24.4)
85 (25.9)									15.3 (6.9)	15.3 (6.9)	15.3 (6.9)	15.2 (6.9)	85 (25.9)
90 (27.4)									13.7 (6.2)	13.7 (6.2)	13.8 (6.3)	13.7 (6.2)	90 (27.4)
95 (29.0)										12.3 (5.6)	12.4 (5.6)	12.4 (5.6)	95 (29.0)
100 (30.5)											11.1 (5.0)	11.1 (5.0)	100 (30.5)
105 (32.0)												10.0 (4.5)	105 (32.0)

This material is supplied for reference use only. Operator must refer to in-cab Crane Rating Manual and Operator's Manual to determine allowable crane lifting capacities and assembly and operating procedures.

# Jib Attachment Load Charts

Main Boom Lift Capacity Chart – 360° Rotation – Fully Extended Tracks ABC+A [76,000 lb (34 473kg)] Counterweight [All capacities are listed in kips (mt)]									
Load Radius ft (m)	120 ft Main Boom Length								Load Radius ft (m)
	31 ft Manual Offset Fly				55 ft Manual Offset Fly				
	2°	15°	30°	45°	2°	15°	30°	45°	
30 (9.1)	29.7 (13.5)								30 (9.1)
35 (10.7)	28.3 (12.8)				13.6 (6.2)				35 (10.7)
40 (12.2)	27.0 (12.2)	20.3 (9.2)			13.1 (5.9)				40 (12.2)
45 (13.7)	25.8 (11.7)	19.7 (8.9)	16.9 (7.7)		12.7 (5.8)				45 (13.7)
50 (15.2)	24.7 (11.2)	19.1 (8.7)	16.5 (7.5)	14.8 (6.7)	12.2 (5.5)	10.4 (4.7)			50 (15.2)
55 (16.8)	23.6 (10.7)	18.5 (8.4)	16.1 (7.3)	14.6 (6.6)	11.8 (5.4)	10.1 (4.6)			55 (16.8)
60 (18.3)	22.6 (10.3)	18.0 (8.2)	15.8 (7.2)	14.4 (6.5)	11.4 (5.2)	9.8 (4.4)			60 (18.3)
65 (19.8)	20.1 (9.1)	17.5 (7.9)	15.5 (7.0)	14.3 (6.5)	11.1 (5.0)	9.6 (4.4)	8.3 (3.8)		65 (19.8)
70 (21.3)	19.5 (8.9)	17.0 (7.7)	15.2 (6.9)	14.1 (6.4)	10.7 (4.9)	9.3 (4.2)	8.2 (3.7)		70 (21.3)
75 (22.9)	18.8 (8.5)	16.6 (7.5)	14.9 (6.8)	14.0 (6.4)	10.4 (4.7)	9.1 (4.1)	8.0 (3.6)	7.3 (3.3)	75 (22.9)
80 (24.4)	17.4 (7.9)	16.2 (7.3)	14.7 (6.7)	13.9 (6.3)	10.1 (4.6)	8.8 (4.0)	7.8 (3.5)	7.2 (3.3)	80 (24.4)
85 (25.9)	15.6 (7.1)	15.8 (7.2)	14.5 (6.6)	13.9 (6.3)	9.8 (4.4)	8.6 (3.9)	7.7 (3.5)	7.2 (3.3)	85 (25.9)
90 (27.4)	14.1 (6.4)	14.7 (6.7)	14.3 (6.5)	13.8 (6.3)	9.5 (4.3)	8.4 (3.8)	7.6 (3.4)	7.1 (3.2)	90 (27.4)
95 (29.0)	12.8 (5.8)	13.3 (6.0)	13.7 (6.2)	13.8 (6.3)	9.2 (4.2)	8.2 (3.7)	7.5 (3.4)	7.0 (3.2)	95 (29.0)
100 (30.5)	11.6 (5.3)	12.0 (5.4)	12.4 (5.6)	12.7 (5.8)	9.0 (4.1)	8.1 (3.7)	7.4 (3.4)	7.0 (3.2)	100 (30.5)
105 (32.0)	10.5 (4.8)	10.9 (4.9)	11.2 (5.1)	11.4 (5.2)	8.8 (4.0)	7.9 (3.6)	7.3 (3.3)	6.9 (3.1)	105 (32.0)
110 (33.5)	9.5 (4.3)	9.9 (4.5)	10.2 (4.6)	10.3 (4.7)	8.5 (3.9)	7.8 (3.5)	7.2 (3.3)	6.9 (3.1)	110 (33.5)
115 (35.1)	8.7 (3.9)	9.0 (4.1)	9.2 (4.2)	9.3 (4.2)	8.3 (3.8)	7.6 (3.4)	7.1 (3.2)	6.9 (3.1)	115 (35.1)
120 (36.6)	7.9 (3.6)	8.1 (3.7)	8.3 (3.8)		8.1 (3.7)	7.5 (3.4)	7.1 (3.2)	6.9 (3.1)	120 (36.6)
125 (38.1)	7.1 (3.2)	7.4 (3.4)	7.5 (3.4)		8.0 (3.6)	7.4 (3.4)	7.0 (3.2)	6.9 (3.1)	125 (38.1)
130 (39.6)	6.5 (2.9)	6.7 (3.0)	6.8 (3.1)		7.3 (3.3)	7.3 (3.3)	7.0 (3.2)	6.9 (3.1)	130 (39.6)
135 (41.1)	5.9 (2.7)	6.0 (2.7)			6.7 (3.0)	7.1 (3.2)	7.0 (3.2)	6.9 (3.1)	135 (41.1)
140 (42.7)	5.3 (2.4)	5.4 (2.4)			6.1 (2.8)	6.5 (2.9)	6.8 (3.1)	6.9 (3.1)	140 (42.7)
145 (44.2)					5.6 (2.5)	5.9 (2.7)	6.1 (2.8)		145 (44.2)
150 (45.7)					5.1 (2.3)	5.4 (2.4)	5.5 (2.5)		150 (45.7)
155 (47.2)					4.6 (2.1)	4.9 (2.2)	5.0 (2.3)		155 (47.2)

This material is supplied for reference use only. Operator must refer to in-cab Crane Rating Manual and Operator's Manual to determine allowable crane lifting capacities and assembly and operating procedures.

Main Boom Lift Capacity Chart – 360° Rotation – Fully Extended Tracks									
ABC+A [76,000 lb (34 473kg)] Counterweight									
[All capacities are listed in kips (mt)]									
Load Radius ft (m)	150 ft Main Boom Length								Load Radius ft (m)
	31 ft Manual Offset Fly				55 ft Manual Offset Fly				
	2°	15°	30°	45°	2°	15°	30°	45°	
35 (10.7)	16.1 (7.3)								35 (10.7)
40 (12.2)	16.1 (7.3)				10.2 (4.6)				40 (12.2)
45 (13.7)	16.1 (7.3)	16.2 (7.3)			10.0 (4.5)				45 (13.7)
50 (15.2)	16.1 (7.3)	16.2 (7.3)	14.8 (6.7)		9.8 (4.4)				50 (15.2)
55 (16.8)	16.1 (7.3)	16.1 (7.3)	14.6 (6.6)	13.6 (6.2)	9.7 (4.4)	8.6 (3.9)			55 (16.8)
60 (18.3)	16.1 (7.3)	15.9 (7.2)	14.4 (6.5)	13.4 (6.1)	9.5 (4.3)	8.4 (3.8)			60 (18.3)
65 (19.8)	16.1 (7.3)	15.6 (7.1)	14.2 (6.4)	13.3 (6.0)	9.3 (4.2)	8.3 (3.8)			65 (19.8)
70 (21.3)	16.1 (7.3)	15.4 (7.0)	14.0 (6.4)	13.2 (6.0)	9.1 (4.1)	8.1 (3.7)	7.3 (3.3)		70 (21.3)
75 (22.9)	16.1 (7.3)	15.2 (6.9)	13.9 (6.3)	13.1 (5.9)	9.0 (4.1)	8.0 (3.6)	7.2 (3.3)		75 (22.9)
80 (24.4)	14.9 (6.8)	15.0 (6.8)	13.7 (6.2)	13.1 (5.9)	8.8 (4.0)	7.9 (3.6)	7.1 (3.2)	6.6 (3.0)	80 (24.4)
85 (25.9)	13.8 (6.3)	14.2 (6.4)	13.6 (6.2)	13.0 (5.9)	8.6 (3.9)	7.8 (3.5)	7.0 (3.2)	6.6 (3.0)	85 (25.9)
90 (27.4)	12.7 (5.8)	13.1 (5.9)	13.5 (6.1)	13.0 (5.9)	8.5 (3.9)	7.6 (3.4)	6.9 (3.1)	6.5 (2.9)	90 (27.4)
95 (29.0)	11.7 (5.3)	12.1 (5.5)	12.5 (5.7)	12.9 (5.9)	8.3 (3.8)	7.5 (3.4)	6.9 (3.1)	6.5 (2.9)	95 (29.0)
100 (30.5)	10.8 (4.9)	11.2 (5.1)	11.6 (5.3)	11.9 (5.4)	8.2 (3.7)	7.4 (3.4)	6.8 (3.1)	6.4 (2.9)	100 (30.5)
105 (32.0)	10.0 (4.5)	10.3 (4.7)	10.7 (4.9)	11.0 (5.0)	8.1 (3.7)	7.3 (3.3)	6.7 (3.0)	6.4 (2.9)	105 (32.0)
110 (33.5)	9.1 (4.1)	9.5 (4.3)	9.9 (4.5)	10.1 (4.6)	7.9 (3.6)	7.2 (3.3)	6.7 (3.0)	6.4 (2.9)	110 (33.5)
115 (35.1)	8.3 (3.8)	8.7 (3.9)	9.0 (4.1)	9.3 (4.2)	7.8 (3.5)	7.1 (3.2)	6.6 (3.0)	6.4 (2.9)	115 (35.1)
120 (36.6)	7.5 (3.4)	7.8 (3.5)	8.2 (3.7)	8.4 (3.8)	7.5 (3.4)	7.0 (3.2)	6.6 (3.0)	6.4 (2.9)	120 (36.6)
125 (38.1)	6.7 (3.0)	7.1 (3.2)	7.4 (3.4)	7.6 (3.4)	6.9 (3.1)	6.9 (3.1)	6.5 (2.9)	6.4 (2.9)	125 (38.1)
130 (39.6)	6.1 (2.8)	6.4 (2.9)	6.7 (3.0)	6.8 (3.1)	6.4 (2.9)	6.8 (3.1)	6.5 (2.9)	6.4 (2.9)	130 (39.6)
135 (41.1)	5.5 (2.5)	5.8 (2.6)	6.0 (2.7)	6.1 (2.8)	5.9 (2.7)	6.2 (2.8)	6.5 (2.9)	6.4 (2.9)	135 (41.1)
140 (42.7)	4.9 (2.2)	5.2 (2.4)	5.4 (2.4)	5.4 (2.4)	5.4 (2.4)	5.7 (2.6)	6.1 (2.8)	6.4 (2.9)	140 (42.7)
145 (44.2)	4.4 (2.0)	4.6 (2.1)	4.8 (2.2)		4.9 (2.2)	5.3 (2.4)	5.6 (2.5)	5.8 (2.6)	145 (44.2)
150 (45.7)	3.9 (1.8)	4.1 (1.9)	4.2 (1.9)		4.5 (2.0)	4.8 (2.2)	5.1 (2.3)	5.3 (2.4)	150 (45.7)
155 (47.2)	3.5 (1.6)	3.6 (1.6)	3.7 (1.7)		4.1 (1.9)	4.4 (2.0)	4.7 (2.1)	4.8 (2.2)	155 (47.2)
160 (48.8)	3.0 (1.4)	3.2 (1.5)	3.2 (1.5)		3.6 (1.6)	4.0 (1.8)	4.2 (1.9)	4.4 (2.0)	160 (48.8)
165 (50.3)	2.7 (1.2)	2.8 (1.3)			3.2 (1.5)	3.6 (1.6)	3.8 (1.7)	3.9 (1.8)	165 (50.3)
170 (51.8)	2.3 (1.0)	2.4 (1.1)			2.9 (1.3)	3.2 (1.5)	3.4 (1.5)		170 (51.8)
175 (53.3)					2.5 (1.1)	2.8 (1.3)	2.9 (1.3)		175 (53.3)
180 (54.9)					2.2 (1.0)	2.4 (1.1)	2.5 (1.1)		180 (54.9)
185 (56.4)					1.9 (0.9)	2.1 (1.0)	2.1 (1.0)		185 (56.4)
190 (57.9)					1.6 (0.7)	1.7 (0.8)			190 (57.9)
195 (59.4)					1.4 (0.6)	1.4 (0.6)			195 (59.4)

This material is supplied for reference use only. Operator must refer to in-cab Crane Rating Manual and Operator's Manual to determine allowable crane lifting capacities and assembly and operating procedures.

**Link-Belt Construction Equipment Company** Lexington, Kentucky    [www.linkbelt.com](http://www.linkbelt.com)

®Link-Belt is a registered trademark. Copyright 2013. We are constantly improving our products and therefore reserve the right to change designs and specifications.

*All-West Crane & Rigging Ltd.*  
TCC-1100  
*250-249-5151*